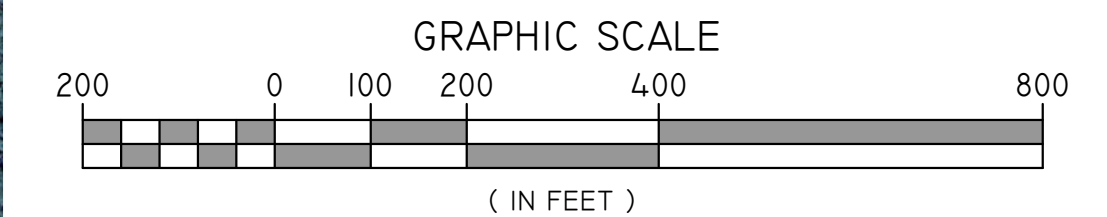




COORDINATES ARE BASED ON NAD 83
KENTUCKY STATE PLANE SOUTH ZONE AND
NAVD88 VERTICAL DATUM



STRUCTURE TABLE			
NAME	NORTHING	EASTING	APPROX. LAKE BOTTOM
DOLPHIN #1	1913502.8720	961175.7230	341.12
DOLPHIN #2	1913637.5630	961316.7313	341.16
DOLPHIN #3	1913772.2540	961457.7397	341.84
DOLPHIN #4	1913906.9449	961598.7480	342.55

- APPROXIMATE LAKE BOTTOM ELEV. FROM SOUNDING DEPTHS PROVIDED TO BACON FARMER WORKMAN BY ERIDA
- NORMAL SUMMER POOL ELEV. = 359
- NORMAL WINTER POOL ELEV. = 354



Paducah, KY Office

2301 McCracken Blvd, Paducah, KY 42001
270-443-1995 / BFWengineers.com

DO NOT REPRODUCE

This document contains confidential information and is an instrument of service and property of the Engineer. It shall not be used on other projects or for the extension of this project without the Engineer's written approval.

ERIDA DOLPHINS PROJECT
EDDYVILLE RIVERPORT INDUSTRIAL DEVELOPMENT AUTHORITY
978 PORT AUTHORITY ROAD, EDDYVILLE, KENTUCKY 42038
EDDYVILLE RIVERPORT INDUSTRIAL DEVELOPMENT AUTHORITY

Revisions:		
#	Description	Date

Drawn By: JEM
Checked By: KDM
Issue Date: 05/16/2025
Project No: 25223

Sheet Title
DOLPHIN LAYOUT

Sheet No.
C1.0

BURIED UTILITIES NOTE

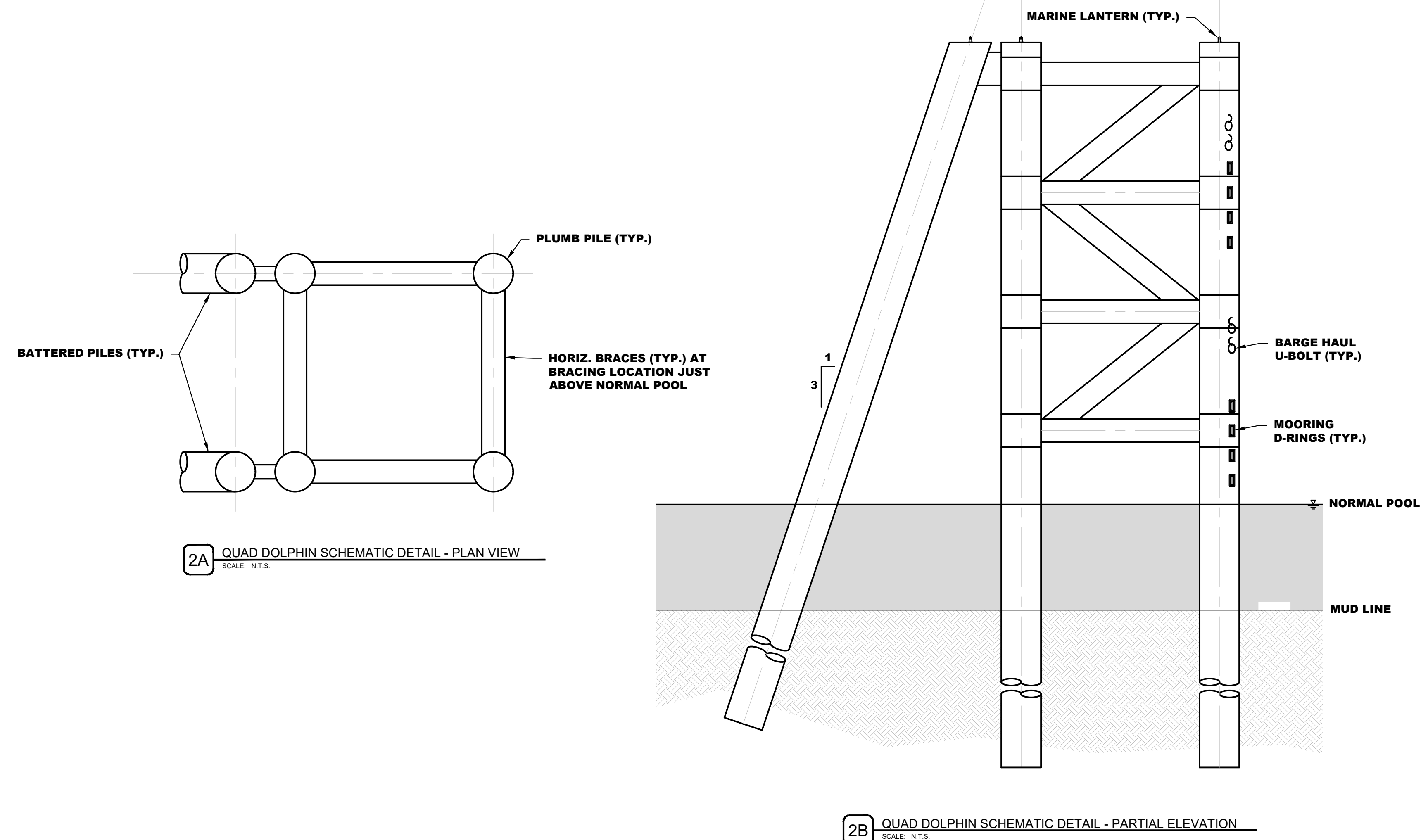
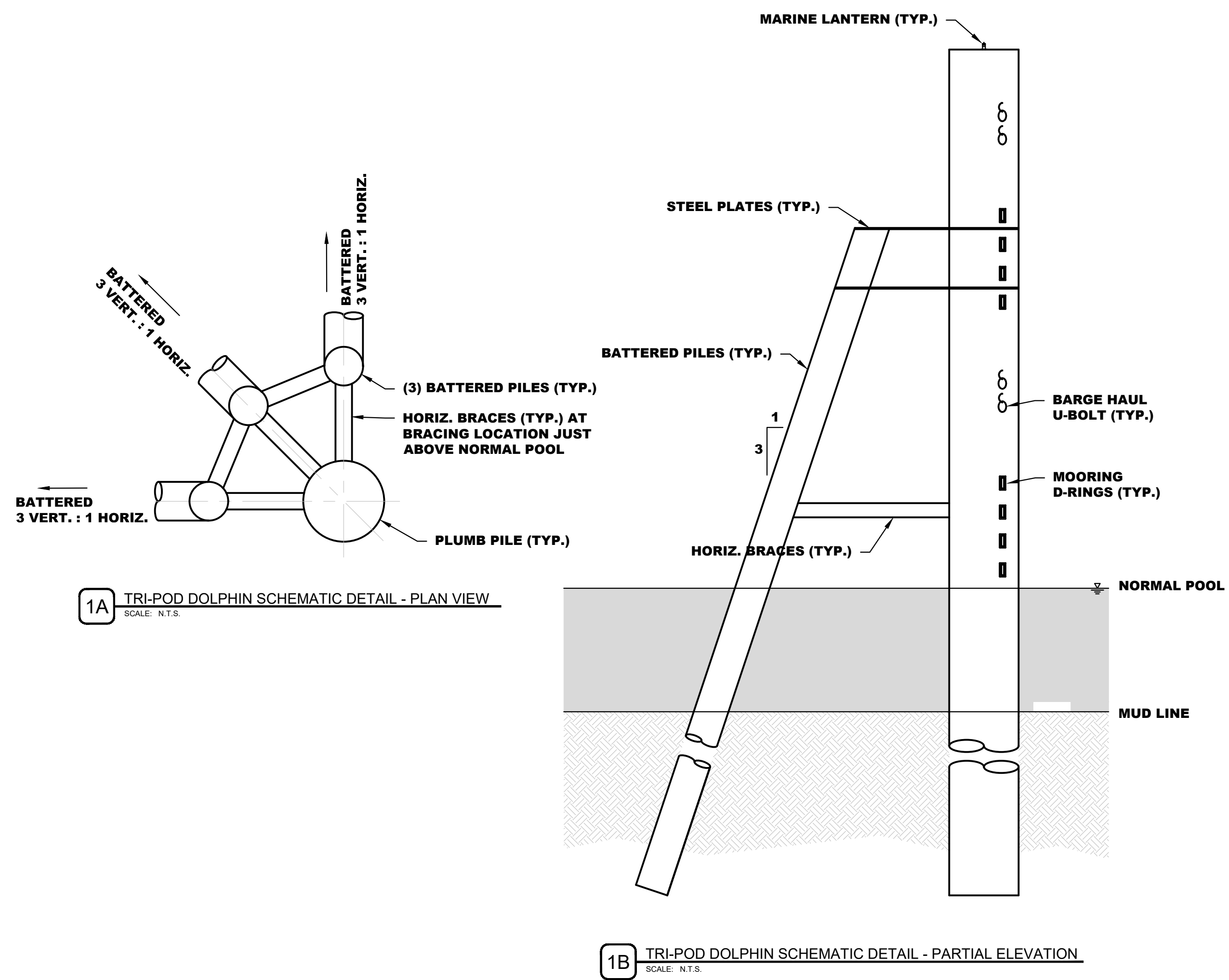
BURIED UTILITIES ARE SHOWN AT THEIR APPROXIMATE LOCATION BASED UPON INFORMATION OBTAINED FROM UTILITY COMPANIES AND FIELD EVIDENCE. OTHER BURIED UTILITIES MIGHT EXIST ON THE SUBJECT SITE WHICH ARE NOT SHOWN ON THIS DRAWING. USE EXTREME CAUTION DURING EXCAVATION PROCEDURES AND CONTACT KENTUCKY 811 @ 811 OR 1-800-752-6007 FOR EXACT LOCATION OF BURIED FACILITIES PRIOR TO EXCAVATION OPERATIONS.



Call 811 or 800-752-6007
www.kentucky811.com
Two Business Days Before You Dig
IT'S THE LAW

1 DOLPHIN LAYOUT
SCALE: 1" = 200'

DO NOT REPRODUCE
 This document contains confidential information and is an instrument of service and property of the Engineer. It shall not be used on other projects or for the extension of this project without the Engineer's written approval.



ERIDA DOLPHINS PROJECT
 EDDYVILLE RIVERPORT INDUSTRIAL DEVELOPMENT AUTHORITY
 978 PORT AUTHORITY ROAD, EDDYVILLE, KENTUCKY 42038
 EDDYVILLE RIVERPORT INDUSTRIAL DEVELOPMENT AUTHORITY

Revisions:

#	Description	Date

Drawn By: JEM
 Checked By: KDM
 Issue Date: 05/16/2025
 Project No: 25223

Sheet Title
 SCHEMATIC
 DOLPHIN
 DETAILS